

TSP510-10T 5-Input Multiswitches Splitter & Tap

Technical Specification

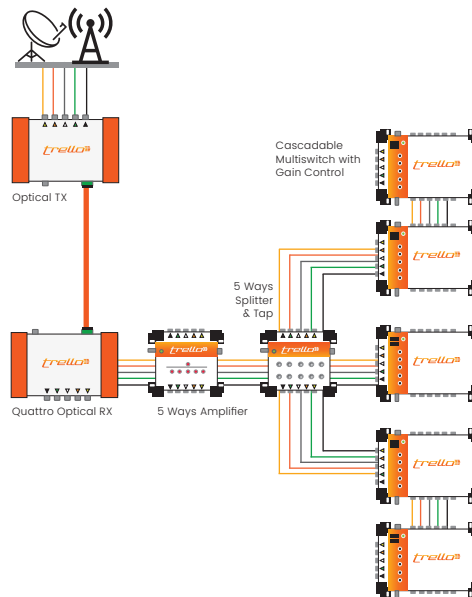
Model			TSP510-10T
Frequency	Satellite	(Mhz)	950 - 2150
	Terrestrial	(Mhz)	47-790
Input			4 Sat.IF+1 Terr.+Power In
Output			4x3 Sat.IF+1x3Terr
Insertion Loss	Trunk Sat.	(dB)	3±2
	Trunk Terr.	(dB)	2±2
	Tap Sat.	(dB)	11±2
	Tap Terr.	(dB)	11±2
Fix Slope	Sat.Taps	(dB)	3
Return Loss	Sat.	(dB)	≥10
	Terr.	(dB)	≥10
LNB Power Supply MAX		(A)	1.2
Power Supply		(Vac/Hz)	90-260Vac/47-63Hz
Dimension		(mm)	164x135x50
Weight		(g)	320.0

Features

- 4 SAT+ 1 Terr
- Plastic bracket for quick and easy installation
- Standard colour coding for easy installation
- Optimised energy consumption
- Full HD compliant
- Tap: DC pass on each trunk line
- Splitter: DC pass from output ports to input port



Application



Ordering Information

5 Input Multiswitches Splitter & tap
Order Number: TSP510-10T

Other Related Product

Standalone 5 Input Multiswitches
(8, 12, 16, 24, 32 Channels)
Order Number: TMS-50xxS

Cascadable 5 Input Multiswitches Gain Control
(8, 12, 16, 24, 32 Channels)
Order Number: TMS-55xxGC

5 Input Power Amplifier
Order Number: TAMP-5520

5 Input Fiber Optic Transmitter
Order Number: TFO-2500CW-TX

Fiber Optic Quattro Receiver
Order Number: TFO-2500CW-QTRX