

TFO-2500CW-TX 5 Input Fiber Optic Transmitter

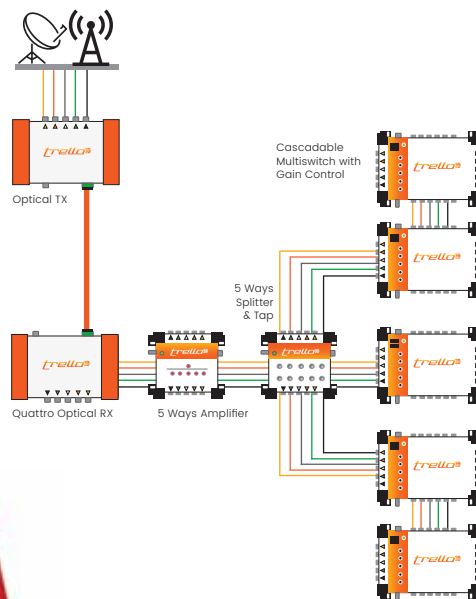
Technical Specification

Number Item	Description	Remark
Customer Interface		
RF Connector	F-female	
Optical Connector	SC/APC	
Power Supply	F-female	
Optical Parameter		
Optical Return Loss, dB	≥45	
Output Optical Wavelength, nm	1510	LV-TX
	1530	LH-TX
	1550	HV+ Terr.-TX
	1570	HH-TX
Output Optical Power, mW	3	≥5dBm
Optical Fiber Type	Single Mode	
Terr.+SAT-IF Parameter		
Input Impedance, Ω	75	
Terr. Frequency Range, MHz	47-860	
Terr. Flatness, dB	±0.75	
Terr. Input Level, dBμV	75±5	
Terr. Return Loss, dB	≥14	
CNR, dB	≥52	
CSO, dB	≥62	
CTB, dB	≥65	
SAT-IF Frequency Range, MHz	950-2150	
SAT-IF Return Loss, dB	≥10	
SAT-IF Flatness, dB	±1.5	
SAT-IF Input Level, dBμV	75±10	
LNB Power supply, V	13/18	
LNB power supply current, mA	350	Max.
22KHz Accuracy, KHz	22±4	
Other Parameter		
Power Supply, VDC	20	
Power Consumption, W	<15	
Dimensions, mm	195*128*40	

Features

- 4 polarities SAT + 1 terrestrial
- Designed for Satellite Optical System
- Wide operating frequency range:47-860MHz/ 950-2150MHz
- Excellent Linearity and flatness
- Ultra low noise technology, Build-in CWDM
- Full HD compliant
- LED Indicator

Application



Ordering Information

5 Input Fiber Optic Transmitter
Order Number: TFO-2500CW-TX

Other Related Product

Standalone 5 Input Multiswitches (8, 12, 16, 24, 32 Channels)
Order Number: TMS-50xxS

Cascadable 5 Input Multiswitches Gain Control (8, 12, 16, 24, 32 Channels)
Order Number: TMS-55xxGC

5 Input Multiswitches Splitter & tap
Order Number: TSP510-10T

5 Input Power Amplifier
Order Number: TAMP-5520

Fiber Optic Quattro Receiver
Order Number: TFO-2500CW-QTRX

